

Body: EN-GJS-400-18-LT (GGG-40.3), two way form for water and steam
 Pressure range: PN 16, PN 25
 Immersion length acc. to DIN EN 558, basic series 1
 Flanges acc. to DIN EN 1092-2 type 21
 Spindle sealing: spring-loaded PTFE-V-ring unit for media temperatures up to 250°C
 Alternatively: graphite-packing for media temperatures up to 350°C
 Internal parts: stainless steel, replaceable seat rings
 Flow characteristic: equal percentage
 Positioning ratio: 50:1
 Leakage: < 0,01% Kvs



Actuator: diaphragm area 250 cm², ø250 mm
 Control signal / closing pressure: see table
 Operating mode (reversible):
 "Spring closes straightway"
 Air connection: G1/4"
 Operating pressure: standard type: 1,6 bar
 other types: ...c: 2,4 bar, ...d: 4,4 bar

Accessories, special types:
 I/P-Positioner, control signal 4...20 mA (see page 390 8)
 P/P-Positioner, control signal 0,2...1,0 bar (see page 390 5)
 Electro-pneum. transformer (see page 390 3)
 Solenoid valve for operating air (see page 393)
 Limit switches (see page 39e)
 Inductive limit switches (on request)
 Manual operating device (see page 39h)
 Other Kvs- values (see page 3214/5red1/2)
 Weld-on ends (on request)
 Flange drillings acc. to ANSI / JIS (on request)

Order text:
 Pneumatic control valve in two way form
 EN-GJS-400-18-LT (GGG-40.3), PN . . , DN . . , Kvs . . .
 Spindle sealing with PTFE-V-ring unit
 Spring closes (opens) straightway
 Control signal . . . - . . . bar, closing pressure . . . bar
 List-No. 321 . . . , accessories: . . .

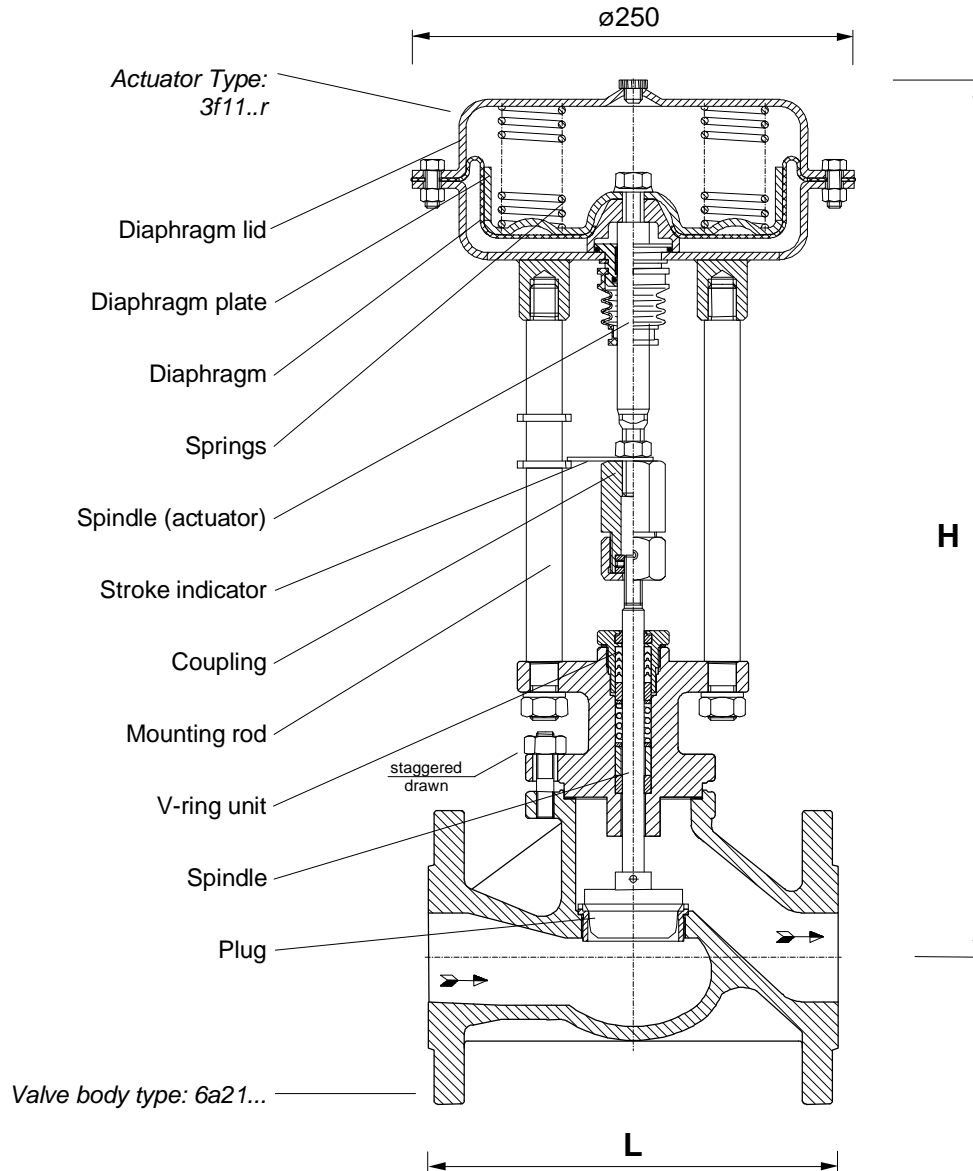
Pressure-temperature ratings acc. to DIN EN 1092-2:

by:	-10...120	150	200	250	300	350	°C*
PN 16	16	15,5	14,7	13,9	12,8	11,2	bar
PN 25	25	24,3	23	21,8	20	17,5	bar

* = max. 250°C for spindle sealing with PTFE-V-ring unit

DN	List-No.		Kvs m ³ /h	Stroke mm	Closing pressure* (bar) for control signal...		
	PN 16	PN 25			0,4...1,2bar: standard	1,0...2,0bar: type ...c	2,0...4,0bar: type ...d
15	321 400.	321 500.	4	20	17,9	25,0	
20	321 401.	321 501.	6,3	20	17,9	25,0	
25	321 402.	321 502.	10	20	11,1	25,0	
32	321 403.	321 503.	16	20	6,3	22,8	25,0
40	321 404.	321 504.	25	20	3,6	14,4	25,0
50	321 405.	321 505.	40	20	1,9	8,9	20,7
65	321 406.	321 506.	63	30	0,6	4,8	11,9
80	321 408.	321 508.	100	30		3,0	7,7
100	321 410.	321 510.	160	30		1,7	4,7

* higher closing pressures see page 3214/5Se, bigger DN see page 3214/5Sg/h/i



DN	15	20	25	32	40	50	65	80	100
Height H	460	474	468	474	480	482	525	526	533
Length L	130	150	160	180	200	230	290	310	350
Weight kg	16	17	18	20	21	23	37	40	50