

Gate Valve Outside Screw

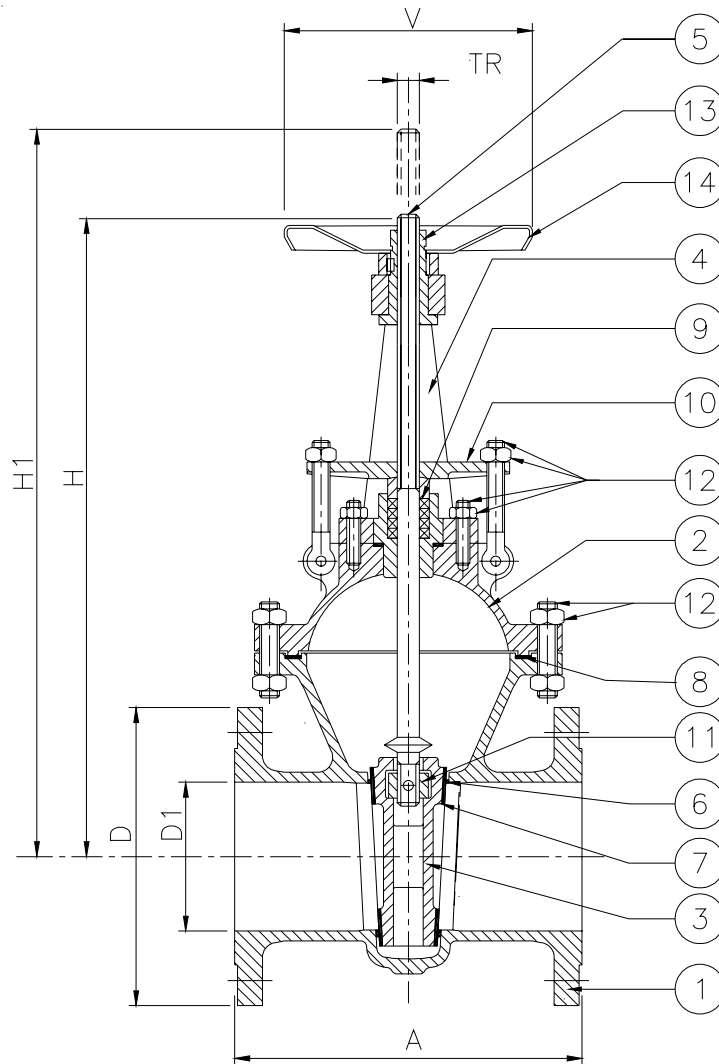


PN 40 DN 50 - DN 150

PN 25 DN 200 - DN 800

Flanges PN 40 or PN 25 or PN 16

Fig. 240-540



0948

Rel. 4.0

Standard features:

- Design EN 12516
 EN 1984
- Face to face EN 558 series 15
- Flanges EN 1092-1/21/B1
- Materials EN 10213
 EN 10269
 EN 10088
- Bolts and nuts EN 1515-1
- Welding overlay AD-M HP 0
- Testing EN 1984
 EN 12266
- Marking EN 19
- Certificates EN 10204

Optional versions:

- AD 2000 – A4
- TRD 110
- DIN 3230 Part 4
- DIN 3230 Part 5
- DIN 3230 Part 6
- TRbF 131
- TRbF 301
- TRbF 302
- TA-Luft
- With flanges PN 10 or PN 16
- With flanges form A, B2, C, D, E, F, G, H
- With butt welding ends (EN 12982 / EN 12627)
- With special devices (see pages 30 – 31)

	DESCRIPTION	FIG. 240	FIG. 340	FIG. 340-J	FIG. 440	FIG. 440-H	FIG. 540
1	Body	1.0619	1.4581	1.4308	1.7357	1.7379	1.1138
2	Bonnet	1.0619	1.4581	1.4308	1.7357	1.7379	1.1138
3 x	Wedge	1.0619	1.4581	1.4308	1.7357	1.7379	1.1138
4	Yoke	1.0619	1.4581	1.4308	1.7357	1.7379	1.1138
5 x	Stem	1.4021 ⁽¹⁾	1.4571 ⁽¹⁾	1.4301 ⁽¹⁾	1.4021 ⁽¹⁾	1.4021 ⁽¹⁾	1.4021 ⁽¹⁾
6	Body seats	1.4502 ⁽²⁾	1.4581 ⁽²⁾	1.4308 ⁽²⁾	1.4502 ⁽²⁾	Stellite	1.4502 ⁽²⁾
7	Wedge seats	1.4502 ⁽²⁾	1.4581 ⁽²⁾	1.4308 ⁽²⁾	1.4502 ⁽²⁾	Stellite	1.4502 ⁽²⁾
8 O	Gasket	Graphite + SS ⁽³⁾	Graphite + SS ⁽³⁾	PTFE ⁽³⁾	Graphite + SS ⁽³⁾	Graphite + SS ⁽³⁾	Graphite + SS ⁽³⁾
9 O	Packing	Graphite + SS ⁽³⁾	Graphite + SS ⁽³⁾	PTFE ⁽³⁾	Graphite + SS ⁽³⁾	Graphite + SS ⁽³⁾	Graphite + SS ⁽³⁾
10 x	Gland	1.0402	1.4571	1.4301	1.0402	1.0402	1.4301
11 x	Boss	1.4571	1.4571	1.4301	1.4571	1.4571	1.4571
12	Bolts	1.7225 ⁽⁴⁾	1.4301 ⁽⁴⁾	1.4301 ⁽⁴⁾	1.7711 ⁽⁴⁾	1.7711 ⁽⁴⁾	1.7225 ⁽⁴⁾
12	Nuts	1.1191 ⁽⁴⁾	1.4301 ⁽⁴⁾	1.4301 ⁽⁴⁾	1.7225 ⁽⁴⁾	1.7225 ⁽⁴⁾	1.7225 ⁽⁴⁾
13 x	Yoke sleeve	1.0511 NHT	1.0511 NHT	1.0511 NHT	1.0511 NHT	1.0511 NHT	1.0511 NHT
14 x	Handwheel	Pressed steel	Pressed steel	Pressed steel	Pressed steel	Pressed steel	Pressed steel

⁽¹⁾ Also available on request 1.4571, 1.4301, 1.3964, Hastelloy, or other materials.

⁽²⁾ Also available on request stellite, 1.4462 (duplex), 1.4430, 1.4316, Hastelloy, or other materials.

⁽³⁾ Also available on request PTFE, Gore-tex, graphite, or other materials and different desing (e.g. cam-profile).

⁽⁴⁾ Also available on request 1.7225 / 1.1191, 1.7711 / 1.7225, 1.4401, 1.4301, A4-70 or other materials.

O recommended spare parts for 2 years standard service; x recommended spare parts for 5 years standard service.

Dimensions

	DN	A	D	H	H1	TR	V	Kg	$\Delta p^{(5)}$	Wedge ⁽⁶⁾
PN 40	50	250	165	340	400	18 x 4	200	23	40	Split
	65	270	185	360	435	20 x 4	200	31	40	Split
	80	280	200	410	500	20 x 4	200	36	40	Split
	100	300	235	500	610	22 x 5	250	53	40	Split
	125	325	270	535	670	24 x 5	250	73	40	Split
	150	350	300	615	780	24 x 5	250	98	40	Flexible
PN 25	200	400	360	720	935	28 x 5	300	150	22	Flexible
	250	450	425	975	1240	32 x 6	400	230	19	Flexible
	300	500	485	1045	1360	36 x 6	500	330	17	Flexible
	350	550	555	1250	1615	36 x 6	500	400	12	Flexible
	400	600	620	1410	1830	40 x 7	500	600	12	Flexible
	450	650	670	1640	2110	50 x 8	600	790	12	Flexible
	500	700	730	1645	2165	50 x 8	600	845	12	Flexible
	600	800	845	1980	2600	50 x 8	600	1125	7	Flexible
	700	900	960	2190	3010	60 x 9	600	2000	1	Solid
	800	1000	1085	2800	3630	60 x 9	600	2270	0	Solid

⁽⁵⁾ Maximum differential pressure for manoeuvre without gear box or by-pass according to EN 12570 (if equal to 0 the gearbox is recommended).

⁽⁶⁾ Standard wedge type. Other execution available on request.

Pressure Temperature Ratings (°C / bar)

	PN	-195	-150	-100	-50	-10	0	20	100	150	200	250	300	350	400	425	450	475	500	525	550	575	600	
Fig. 240	25					25.0	25.0	24.7	23.3	21.4	19.4	17.8	16.1	15.0	14.4	11.8	9.2							
Fig. 340 ⁽⁷⁾	25			25.0	25.0	25.0	24.1	20.6	19.2	17.8	16.9	16.1	15.3	14.4	14.2	13.9	13.6	13.3	13.1	12.8				
Fig. 340-J	25	25.0	25.0	25.0	25.0	25.0	23.6	17.8	15.8	13.9	13.1	12.2												
Fig. 440 ⁽⁷⁾ ⁽⁸⁾	25			25.0	25.0	25.0	25.0	25.0	25.0	25.0	25.0	23.9	22.2	21.7	21.1	17.1	13.0	9.6	6.1					
Fig. 440-H ⁽⁸⁾	25			25.0	25.0	25.0	25.0	25.0	25.0	25.0	25.0	25.0	25.0	25.0	24.6	24.2	19.7	15.1	11.2	7.3	5.2	3.1		
Fig. 540	25			25.0	25.0	25.0	24.4	22.2	21.1	20.0	19.4	18.9												
Fig. 240	40					40.0	40.0	39.5	37.3	34.2	31.1	28.4	25.8	24.0	23.1	18.9	14.8							
Fig. 340 ⁽⁷⁾	40			40.0	40.0	40.0	38.6	32.9	30.7	28.4	27.1	25.8	24.4	23.1	22.7	22.2	21.8	21.3	20.9	20.4				
Fig. 340-J	40	40.0	40.0	40.0	40.0	40.0	37.7	28.4	25.3	22.2	20.9	19.6												
Fig. 440 ⁽⁷⁾ ⁽⁸⁾	40			40.0	40.0	40.0	40.0	40.0	40.0	40.0	40.0	40.0	38.2	35.6	34.7	33.8	27.3	20.8	15.3	9.8				
Fig. 440-H ⁽⁸⁾	40			40.0	40.0	40.0	40.0	40.0	40.0	40.0	40.0	40.0	40.0	40.0	39.4	38.8	31.5	24.2	18.0	11.7	8.4	5.0		
Fig. 540	40			40.0	40.0	40.0	39.1	35.6	33.8	32.0	31.1	30.2												

Please, in the inquiry and in the order, specify always the maximum service temperature when it's over 100 °C.

If the valves are provided with flanged connection PN 16 or PN 10 the maximum allowable pressure should be proportionally reduced.

⁽⁷⁾ Suitable over 450 °C only if provided with stellite seats. ⁽⁸⁾ Suitable over 530 °C only if provided with 1.3964 stem.

General sale and delivery conditions and product guarantee as specified at pages 48 and 49.

Due to constant improvement all data and details contained in this catalogue are purely indicative and they can be subjected to change without notice.