



CYCLONE SEPARATOR

MODEL DC7 STAINLESS STEEL

HIGH EFFICIENCY STAINLESS STEEL SEPARATOR

Features

All stainless steel separator, employing a cyclone-effect to efficiently separate condensate from steam and air.

1. All-welded, maintenance-free construction.
2. Compact and light weight.
3. All parts made from stainless steel with high durability and corrosion resistance for long service life.
4. Separator achieves condensate separation efficiency as high as 98%.



SPECIFICATIONS

Model		DC7		
Connection		Screwed	Socket Welded	Flanged
Size		1/2", 3/4", 1", 1 1/2", 2"		
Maximum Operating Pressure (barg)	PMO	25		
Maximum Operating Temperature (°C)	TMO	300		
Applicable Fluids*		Steam, Air		

* Do not use for toxic, flammable or otherwise hazardous gases.

1 bar = 0.1 MPa

PRESSURE SHELL DESIGN CONDITIONS (NOT OPERATING CONDITIONS):

Maximum Allowable Pressure (barg) PMA: 25

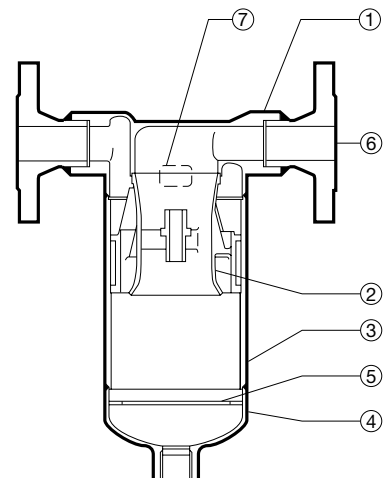
Maximum Allowable Temperature (°C) TMA: 300



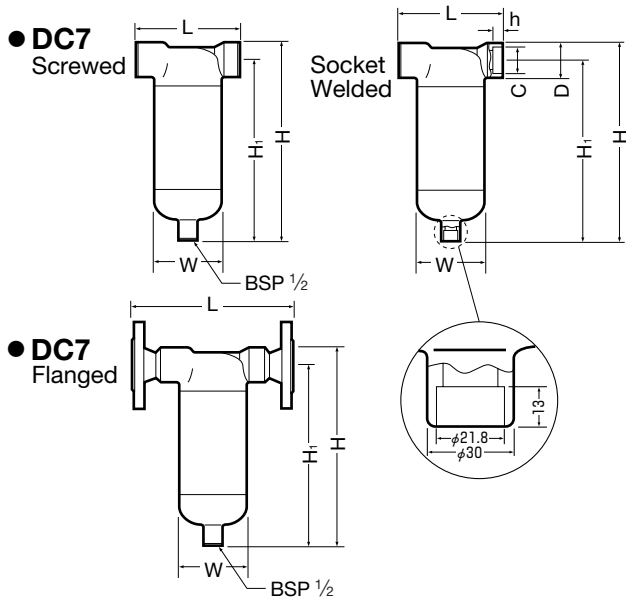
To avoid abnormal operation, accidents or serious injury, DO NOT use this product outside of the specification range. Local regulations may restrict the use of this product to below the conditions quoted.

No.	Description	Material	DIN*	ASTM/AISI*
①	Body	Cast Stainless Steel A351 Gr.CF8	1.4312	—
②	Separator	Cast Stainless Steel SCS13	1.4308	A351 Gr.CF8
③	Separator Body	Stainless Steel SUS304	1.4301	AISI304
④	Separator Bottom	Cast Stainless Steel A351 Gr.CF8	1.4312	—
⑤	Baffle	Stainless Steel SUS304	1.4301	AISI304
⑥	Flange**	Stainless Steel SUS304/ Cast Stainless Steel A351 Gr.CF8	1.4301/ 1.4312	AISI304/ —
⑦	Nameplate	Stainless Steel SUS304	1.4301	AISI304

* Equivalent materials ** Material depends on flange specifications



Dimensions



DC7 Screwed*/Socket Welded (mm)**

Size*	DN**	L	H	Hi	φW	φD	φC	h	Weight (kg)
1/2"	15	130	229	210	89	36	21.8	13	3.4
3/4"	20						27.2		
1"	25	150	263	240	101	44	33.9	5.3	
1 1/2"	40	170	326	295	114	59	48.8	6.5	
2"	50	220	397	360	165	72	61.2	16	

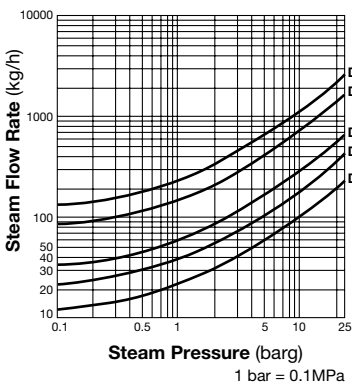
* BSP DIN 2999, other standards available
 ** ASME B16. 11-2005, other standards available

DC7 Flanged (mm)

DN	L			H	Hi	φW	Weight* (kg)
	DIN 2501 PN25/40	ASME Class					
15	198	178	178	229	210	89	5.0
20	202	191	191				5.6
25	232	227	227	263	240	101	8.1
40	252	251	258	326	295	114	11
50	310	331	337	397	360	165	22

Other standards available, but length and weight may vary
 * Weight is for DIN PN 25/40

Flow Rate (Steam)

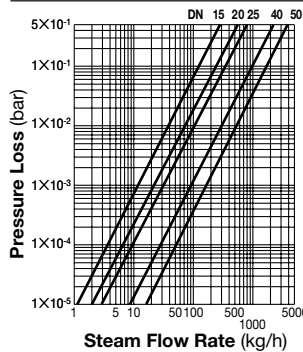


The chart to the left is used to determine the steam flow rate through the DC7 separator. It is based on a steam velocity in the piping of 30 m/sec. For other velocities, calculate the flow rate as follows:

Flow rate at v m/sec
 = Flow rate (at 30 m/sec) × $\frac{v}{30}$

It is recommended that velocities not exceed 30 m/sec.

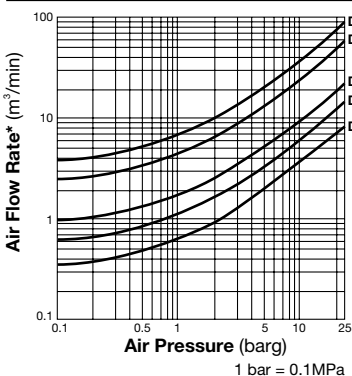
Pressure Loss (Steam)



The pressure loss chart is based on a steam pressure of 10 barg. For other pressures, multiply the steam flow rate by the correction factor given in the table below. Use this value on the pressure loss chart.

Pressure (barg)	1	3	5	7	10	16	20	25
Flow Rate Correction Factor	2.24	1.62	1.34	1.16	1	0.81	0.73	0.67

Flow Rate (Air)

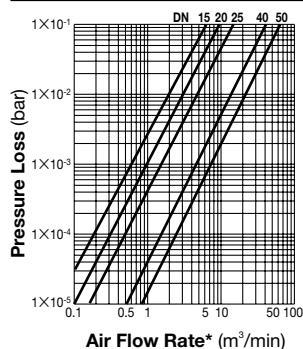


The chart to the left is used to determine the air flow rate through the DC7 separator. It is based on an air velocity in the piping of 30 m/sec. For other velocities, calculate the flow rate as follows:

Flow rate at v m/sec
 = Flow rate (at 30 m/sec) × $\frac{v}{30}$

* For air at 20 °C under atmospheric pressure

Pressure Loss (Air)



The pressure loss chart is based on an air pressure of 10 barg. For other pressures, multiply the air flow rate by the correction factor given in the table below. Use this value on the pressure loss chart.

Pressure (barg)	1	3	5	7	10	16	20	25
Flow Rate Correction Factor	5.5	2.75	1.83	1.38	1	0.65	0.52	0.44

Manufacturer

ISO 9001/ISO 14001

TLV CO., LTD.
 Kakogawa, Japan

is approved by LRQA Ltd. to ISO 9001/14001

